

Adjustable hand levers

with special tipped threaded studs

SPECIFICATION

Types

- Type **MS**: Brass tipp
- Type **KU**: Plastic tipp
- Type **DZ**: Hardened oval tipp
- Type **ZK**: Spherical end
- Type **KD**: Spherical end with swivel thrust pad

Handle

Zinc die casting

Plastic coated

- black, RAL 9005, textured finish **SW**
- orange, RAL 2004, textured finish **OS**
- red, RAL 3000, textured finish **RS**
- silver, RAL 9006, textured finish **SR**

Threaded stud and retaining screw
Steel, blackened

Thrust point

- Type MS: Brass
- Type KU: Plastic (POM)
- Type DZ: Steel, hardened (Oval point)

Thrust pad

Plastic (Polyacetal POM)

- temperature resistant up to 80 °C
- black, matt

INFORMATION

Adjustable hand levers GN 306 are ideal whenever parts have to be clamped in a confined space or in a particular lever position. The centre insert is connected to the lever via serrations which can easily be disengaged.

Pulling the lever disengages the serrations, allowing it to be swivelled to the ideal clamping position. When the lever is released, the serrations

The brass and plastic tipped studs (Types MS / KU) help to avoid damage to the work piece being clamped.

The hardened tipped stud (Type DZ) provides an oval point-shaped pressure point.

The swivel thrust pad (Type KD) can easily be snapped on and taken off.

Pad is supplied unmounted.

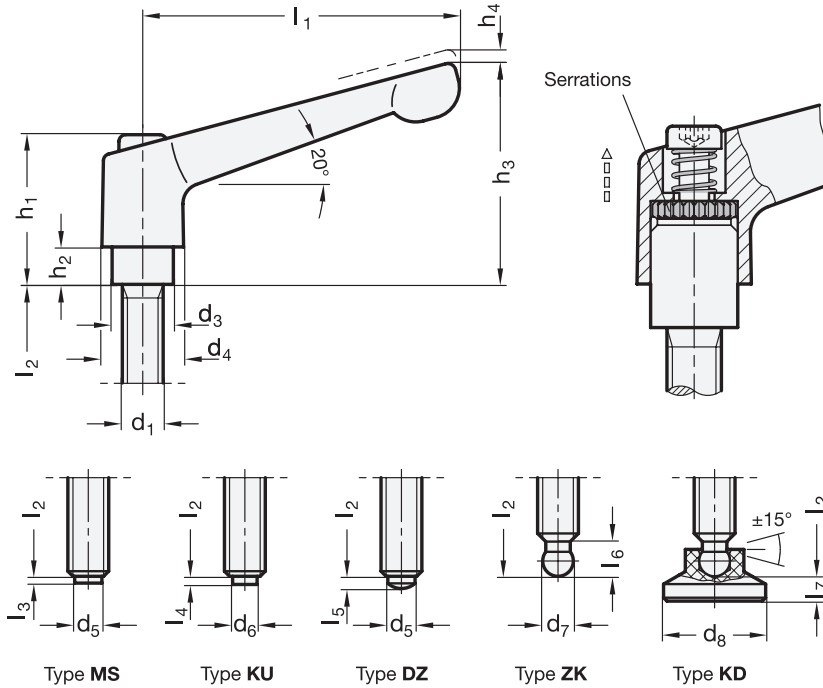
TECHNICAL INFORMATION

- ISO-Fundamental Tolerances (see page A21)

ON REQUEST

- with threaded stud in Stainless Steel
- Flat handle GN 302 (see page 360)





* Complete with colour index of the clamping lever body (SW, OS, RS or SR)

| | | | |
|-----------|-----------|-----------|-----------|
| SW | OS | RS | SR |
| RAL9005 | RAL2004 | RAL3000 | RAL9006 |

GN 306

| Description | l1 | d1 | l2 | d3 | d4 | d5 | d6 | d7 | d8 | h1 | h2 | h3 | h4 | l3 | l4 | l5 | l6 | l7 | ⚖ |
|-----------------------|----|------|----|------|------|----|----|----|----|------|-----|----|-----|----|----|-----|----|----|-----|
| GN 306-30-M6-16-DZ-* | 30 | M 6 | 16 | 10 | 13 | 4 | - | - | - | 24.5 | 4 | 31 | 3.5 | - | - | 1.8 | - | - | 28 |
| GN 306-30-M6-20-DZ-* | 30 | M 6 | 20 | 10 | 13 | 4 | - | - | - | 24.5 | 4 | 31 | 3.5 | - | - | 1.8 | - | - | 29 |
| GN 306-30-M6-25-DZ-* | 30 | M 6 | 25 | 10 | 13 | 4 | - | - | - | 24.5 | 4 | 31 | 3.5 | - | - | 1.8 | - | - | 30 |
| GN 306-30-M6-32-DZ-* | 30 | M 6 | 32 | 10 | 13 | 4 | - | - | - | 24.5 | 4 | 31 | 3.5 | - | - | 1.8 | - | - | 31 |
| GN 306-30-M6-40-DZ-* | 30 | M 6 | 40 | 10 | 13 | 4 | - | - | - | 24.5 | 4 | 31 | 3.5 | - | - | 1.8 | - | - | 33 |
| GN 306-30-M6-50-DZ-* | 30 | M 6 | 50 | 10 | 13 | 4 | - | - | - | 24.5 | 4 | 31 | 3.5 | - | - | 1.8 | - | - | 34 |
| GN 306-45-M6-16-DZ-* | 45 | M 6 | 16 | 10 | 13 | 4 | - | - | - | 24.5 | 4 | 35 | 3.5 | - | - | 1.8 | - | - | 56 |
| GN 306-45-M6-20-DZ-* | 45 | M 6 | 20 | 10 | 13 | 4 | - | - | - | 24.5 | 4 | 35 | 3.5 | - | - | 1.8 | - | - | 57 |
| GN 306-45-M6-25-DZ-* | 45 | M 6 | 25 | 10 | 13 | 4 | - | - | - | 24.5 | 4 | 35 | 3.5 | - | - | 1.8 | - | - | 58 |
| GN 306-45-M6-32-DZ-* | 45 | M 6 | 32 | 10 | 13 | 4 | - | - | - | 24.5 | 4 | 35 | 3.5 | - | - | 1.8 | - | - | 59 |
| GN 306-45-M6-40-DZ-* | 45 | M 6 | 40 | 10 | 13 | 4 | - | - | - | 24.5 | 4 | 35 | 3.5 | - | - | 1.8 | - | - | 61 |
| GN 306-45-M6-50-DZ-* | 45 | M 6 | 50 | 10 | 13 | 4 | - | - | - | 24.5 | 4 | 35 | 3.5 | - | - | 1.8 | - | - | 62 |
| GN 306-63-M8-20-DZ-* | 63 | M 8 | 20 | 13.5 | 17.5 | 6 | - | - | - | 31 | 6.5 | 45 | 4 | - | - | 2.5 | - | - | 50 |
| GN 306-63-M8-25-DZ-* | 63 | M 8 | 25 | 13.5 | 17.5 | 6 | - | - | - | 31 | 6.5 | 45 | 4 | - | - | 2.5 | - | - | 64 |
| GN 306-63-M8-32-DZ-* | 63 | M 8 | 32 | 13.5 | 17.5 | 6 | - | - | - | 31 | 6.5 | 45 | 4 | - | - | 2.5 | - | - | 83 |
| GN 306-63-M8-40-DZ-* | 63 | M 8 | 40 | 13.5 | 17.5 | 6 | - | - | - | 31 | 6.5 | 45 | 4 | - | - | 2.5 | - | - | 85 |
| GN 306-63-M8-50-DZ-* | 63 | M 8 | 50 | 13.5 | 17.5 | 6 | - | - | - | 31 | 6.5 | 45 | 4 | - | - | 2.5 | - | - | 89 |
| GN 306-63-M8-63-DZ-* | 63 | M 8 | 63 | 13.5 | 17.5 | 6 | - | - | - | 31 | 6.5 | 45 | 4 | - | - | 2.5 | - | - | 92 |
| GN 306-63-M10-20-DZ-* | 63 | M 10 | 20 | 13.5 | 17.5 | 8 | - | - | - | 31 | 6.5 | 45 | 4 | - | - | 3.5 | - | - | 86 |
| GN 306-63-M10-25-DZ-* | 63 | M 10 | 25 | 13.5 | 17.5 | 8 | - | - | - | 31 | 6.5 | 45 | 4 | - | - | 3.5 | - | - | 93 |
| GN 306-63-M10-32-DZ-* | 63 | M 10 | 32 | 13.5 | 17.5 | 8 | - | - | - | 31 | 6.5 | 45 | 4 | - | - | 3.5 | - | - | 95 |
| GN 306-63-M10-40-DZ-* | 63 | M 10 | 40 | 13.5 | 17.5 | 8 | - | - | - | 31 | 6.5 | 45 | 4 | - | - | 3.5 | - | - | 98 |
| GN 306-63-M10-50-DZ-* | 63 | M 10 | 50 | 13.5 | 17.5 | 8 | - | - | - | 31 | 6.5 | 45 | 4 | - | - | 3.5 | - | - | 100 |
| GN 306-63-M10-63-DZ-* | 63 | M 10 | 63 | 13.5 | 17.5 | 8 | - | - | - | 31 | 6.5 | 45 | 4 | - | - | 3.5 | - | - | 104 |





* Complete with colour index of the clamping lever body (SW, OS, RS or SR)
 RAL9005 SW RAL2004 OS RAL3000 RS RAL9006 SR

GN 306

| Description | l1 | d1 | l2 | d3 | d4 | d5 | d6 | d7 | d8 | h1 | h2 | h3 | h4 | l3 | l4 | l5 | l6 | l7 | Δ |
|-----------------------|----|------|----|------|------|----|-----|----|----|------|-----|----|-----|----|-----|----|----|-----|-----|
| GN 306-30-M6-16-KD-* | 30 | M 6 | 16 | 10 | 13 | - | - | - | 15 | 24.5 | 4 | 31 | 3.5 | - | - | - | - | 3.6 | 25 |
| GN 306-30-M6-20-KD-* | 30 | M 6 | 20 | 10 | 13 | - | - | - | 15 | 24.5 | 4 | 31 | 3.5 | - | - | - | - | 3.6 | 30 |
| GN 306-30-M6-25-KD-* | 30 | M 6 | 25 | 10 | 13 | - | - | - | 15 | 24.5 | 4 | 31 | 3.5 | - | - | - | - | 3.6 | 31 |
| GN 306-30-M6-32-KD-* | 30 | M 6 | 32 | 10 | 13 | - | - | - | 15 | 24.5 | 4 | 31 | 3.5 | - | - | - | - | 3.6 | 32 |
| GN 306-30-M6-40-KD-* | 30 | M 6 | 40 | 10 | 13 | - | - | - | 15 | 24.5 | 4 | 31 | 3.5 | - | - | - | - | 3.6 | 33 |
| GN 306-30-M6-50-KD-* | 30 | M 6 | 50 | 10 | 13 | - | - | - | 15 | 24.5 | 4 | 31 | 3.5 | - | - | - | - | 3.6 | 35 |
| GN 306-45-M6-16-KD-* | 45 | M 6 | 16 | 10 | 13 | - | - | - | 15 | 24.5 | 4 | 35 | 3.5 | - | - | - | - | 3.6 | 57 |
| GN 306-45-M6-20-KD-* | 45 | M 6 | 20 | 10 | 13 | - | - | - | 15 | 24.5 | 4 | 35 | 3.5 | - | - | - | - | 3.6 | 58 |
| GN 306-45-M6-25-KD-* | 45 | M 6 | 25 | 10 | 13 | - | - | - | 15 | 24.5 | 4 | 35 | 3.5 | - | - | - | - | 3.6 | 59 |
| GN 306-45-M6-32-KD-* | 45 | M 6 | 32 | 10 | 13 | - | - | - | 15 | 24.5 | 4 | 35 | 3.5 | - | - | - | - | 3.6 | 60 |
| GN 306-45-M6-40-KD-* | 45 | M 6 | 40 | 10 | 13 | - | - | - | 15 | 24.5 | 4 | 35 | 3.5 | - | - | - | - | 3.6 | 61 |
| GN 306-45-M6-50-KD-* | 45 | M 6 | 50 | 10 | 13 | - | - | - | 15 | 24.5 | 4 | 35 | 3.5 | - | - | - | - | 3.6 | 62 |
| GN 306-63-M8-20-KD-* | 63 | M 8 | 20 | 13.5 | 17.5 | - | - | - | 18 | 31 | 6.5 | 45 | 4 | - | - | - | - | 4.2 | 85 |
| GN 306-63-M8-25-KD-* | 63 | M 8 | 25 | 13.5 | 17.5 | - | - | - | 18 | 31 | 6.5 | 45 | 4 | - | - | - | - | 4.2 | 86 |
| GN 306-63-M8-32-KD-* | 63 | M 8 | 32 | 13.5 | 17.5 | - | - | - | 18 | 31 | 6.5 | 45 | 4 | - | - | - | - | 4.2 | 89 |
| GN 306-63-M8-40-KD-* | 63 | M 8 | 40 | 13.5 | 17.5 | - | - | - | 18 | 31 | 6.5 | 45 | 4 | - | - | - | - | 4.2 | 91 |
| GN 306-63-M8-50-KD-* | 63 | M 8 | 50 | 13.5 | 17.5 | - | - | - | 18 | 31 | 6.5 | 45 | 4 | - | - | - | - | 4.2 | 93 |
| GN 306-63-M8-63-KD-* | 63 | M 8 | 63 | 13.5 | 17.5 | - | - | - | 18 | 31 | 6.5 | 45 | 4 | - | - | - | - | 4.2 | 110 |
| GN 306-63-M10-20-KD-* | 63 | M 10 | 20 | 13.5 | 17.5 | - | - | - | 21 | 31 | 6.5 | 45 | 4 | - | - | - | - | 4.3 | 84 |
| GN 306-63-M10-25-KD-* | 63 | M 10 | 25 | 13.5 | 17.5 | - | - | - | 21 | 31 | 6.5 | 45 | 4 | - | - | - | - | 4.3 | 87 |
| GN 306-63-M10-32-KD-* | 63 | M 10 | 32 | 13.5 | 17.5 | - | - | - | 21 | 31 | 6.5 | 45 | 4 | - | - | - | - | 4.3 | 90 |
| GN 306-63-M10-40-KD-* | 63 | M 10 | 40 | 13.5 | 17.5 | - | - | - | 21 | 31 | 6.5 | 45 | 4 | - | - | - | - | 4.3 | 94 |
| GN 306-63-M10-50-KD-* | 63 | M 10 | 50 | 13.5 | 17.5 | - | - | - | 21 | 31 | 6.5 | 45 | 4 | - | - | - | - | 4.3 | 100 |
| GN 306-63-M10-63-KD-* | 63 | M 10 | 63 | 13.5 | 17.5 | - | - | - | 21 | 31 | 6.5 | 45 | 4 | - | - | - | - | 4.3 | 110 |
| GN 306-30-M6-16-KU-* | 30 | M 6 | 16 | 10 | 13 | - | 3.5 | - | - | 24.5 | 4 | 31 | 3.5 | - | 1.3 | - | - | - | 27 |
| GN 306-30-M6-20-KU-* | 30 | M 6 | 20 | 10 | 13 | - | 3.5 | - | - | 24.5 | 4 | 31 | 3.5 | - | 1.3 | - | - | - | 29 |
| GN 306-30-M6-25-KU-* | 30 | M 6 | 25 | 10 | 13 | - | 3.5 | - | - | 24.5 | 4 | 31 | 3.5 | - | 1.3 | - | - | - | 30 |
| GN 306-30-M6-32-KU-* | 30 | M 6 | 32 | 10 | 13 | - | 3.5 | - | - | 24.5 | 4 | 31 | 3.5 | - | 1.3 | - | - | - | 31 |
| GN 306-30-M6-40-KU-* | 30 | M 6 | 40 | 10 | 13 | - | 3.5 | - | - | 24.5 | 4 | 31 | 3.5 | - | 1.3 | - | - | - | 32 |
| GN 306-30-M6-50-KU-* | 30 | M 6 | 50 | 10 | 13 | - | 3.5 | - | - | 24.5 | 4 | 31 | 3.5 | - | 1.3 | - | - | - | 34 |
| GN 306-45-M6-16-KU-* | 45 | M 6 | 16 | 10 | 13 | - | 3.5 | - | - | 24.5 | 4 | 35 | 3.5 | - | 1.3 | - | - | - | 40 |
| GN 306-45-M6-20-KU-* | 45 | M 6 | 20 | 10 | 13 | - | 3.5 | - | - | 24.5 | 4 | 35 | 3.5 | - | 1.3 | - | - | - | 50 |
| GN 306-45-M6-25-KU-* | 45 | M 6 | 25 | 10 | 13 | - | 3.5 | - | - | 24.5 | 4 | 35 | 3.5 | - | 1.3 | - | - | - | 58 |
| GN 306-45-M6-32-KU-* | 45 | M 6 | 32 | 10 | 13 | - | 3.5 | - | - | 24.5 | 4 | 35 | 3.5 | - | 1.3 | - | - | - | 59 |
| GN 306-45-M6-40-KU-* | 45 | M 6 | 40 | 10 | 13 | - | 3.5 | - | - | 24.5 | 4 | 35 | 3.5 | - | 1.3 | - | - | - | 60 |
| GN 306-45-M6-50-KU-* | 45 | M 6 | 50 | 10 | 13 | - | 3.5 | - | - | 24.5 | 4 | 35 | 3.5 | - | 1.3 | - | - | - | 62 |
| GN 306-63-M8-20-KU-* | 63 | M 8 | 20 | 13.5 | 17.5 | - | 5 | - | - | 31 | 6.5 | 45 | 4 | - | 1.6 | - | - | - | 78 |
| GN 306-63-M8-25-KU-* | 63 | M 8 | 25 | 13.5 | 17.5 | - | 5 | - | - | 31 | 6.5 | 45 | 4 | - | 1.6 | - | - | - | 80 |
| GN 306-63-M8-32-KU-* | 63 | M 8 | 32 | 13.5 | 17.5 | - | 5 | - | - | 31 | 6.5 | 45 | 4 | - | 1.6 | - | - | - | 87 |
| GN 306-63-M8-40-KU-* | 63 | M 8 | 40 | 13.5 | 17.5 | - | 5 | - | - | 31 | 6.5 | 45 | 4 | - | 1.6 | - | - | - | 88 |
| GN 306-63-M8-50-KU-* | 63 | M 8 | 50 | 13.5 | 17.5 | - | 5 | - | - | 31 | 6.5 | 45 | 4 | - | 1.6 | - | - | - | 89 |
| GN 306-63-M8-63-KU-* | 63 | M 8 | 63 | 13.5 | 17.5 | - | 5 | - | - | 31 | 6.5 | 45 | 4 | - | 1.6 | - | - | - | 91 |
| GN 306-63-M10-20-KU-* | 63 | M 10 | 20 | 13.5 | 17.5 | - | 6.5 | - | - | 31 | 6.5 | 45 | 4 | - | 1.9 | - | - | - | 80 |
| GN 306-63-M10-25-KU-* | 63 | M 10 | 25 | 13.5 | 17.5 | - | 6.5 | - | - | 31 | 6.5 | 45 | 4 | - | 1.9 | - | - | - | 84 |
| GN 306-63-M10-32-KU-* | 63 | M 10 | 32 | 13.5 | 17.5 | - | 6.5 | - | - | 31 | 6.5 | 45 | 4 | - | 1.9 | - | - | - | 86 |
| GN 306-63-M10-40-KU-* | 63 | M 10 | 40 | 13.5 | 17.5 | - | 6.5 | - | - | 31 | 6.5 | 45 | 4 | - | 1.9 | - | - | - | 90 |
| GN 306-63-M10-50-KU-* | 63 | M 10 | 50 | 13.5 | 17.5 | - | 6.5 | - | - | 31 | 6.5 | 45 | 4 | - | 1.9 | - | - | - | 96 |

Clamping levers 3

* Complete with colour index of the clamping lever body (SW, OS, RS or SR)

SW RAL9005
 OS RAL2004
 RS RAL3000
 SR RAL9006

GN 306

| Description | l1 | d1 | l2 | d3 | d4 | d5 | d6 | d7 | d8 | h1 | h2 | h3 | h4 | l3 | l4 | l5 | l6 | l7 | △ |
|-----------------------|----|------|----|------|------|----|----|----------|----|------|-----|----|-----|-----|----|----|-----|----|-----|
| GN 306-30-M6-16-MS-* | 30 | M 6 | 16 | 10 | 13 | 4 | - | - | - | 24.5 | 4 | 31 | 3.5 | 1 | - | - | - | - | 27 |
| GN 306-30-M6-20-MS-* | 30 | M 6 | 20 | 10 | 13 | 4 | - | - | - | 24.5 | 4 | 31 | 3.5 | 1 | - | - | - | - | 29 |
| GN 306-30-M6-25-MS-* | 30 | M 6 | 25 | 10 | 13 | 4 | - | - | - | 24.5 | 4 | 31 | 3.5 | 1 | - | - | - | - | 30 |
| GN 306-30-M6-32-MS-* | 30 | M 6 | 32 | 10 | 13 | 4 | - | - | - | 24.5 | 4 | 31 | 3.5 | 1 | - | - | - | - | 31 |
| GN 306-30-M6-40-MS-* | 30 | M 6 | 40 | 10 | 13 | 4 | - | - | - | 24.5 | 4 | 31 | 3.5 | 1 | - | - | - | - | 33 |
| GN 306-30-M6-50-MS-* | 30 | M 6 | 50 | 10 | 13 | 4 | - | - | - | 24.5 | 4 | 31 | 3.5 | 1 | - | - | - | - | 34 |
| GN 306-45-M6-16-MS-* | 45 | M 6 | 16 | 10 | 13 | 4 | - | - | - | 24.5 | 4 | 35 | 3.5 | 1 | - | - | - | - | 40 |
| GN 306-45-M6-20-MS-* | 45 | M 6 | 20 | 10 | 13 | 4 | - | - | - | 24.5 | 4 | 35 | 3.5 | 1 | - | - | - | - | 50 |
| GN 306-45-M6-25-MS-* | 45 | M 6 | 25 | 10 | 13 | 4 | - | - | - | 24.5 | 4 | 35 | 3.5 | 1 | - | - | - | - | 58 |
| GN 306-45-M6-32-MS-* | 45 | M 6 | 32 | 10 | 13 | 4 | - | - | - | 24.5 | 4 | 35 | 3.5 | 1 | - | - | - | - | 59 |
| GN 306-45-M6-40-MS-* | 45 | M 6 | 40 | 10 | 13 | 4 | - | - | - | 24.5 | 4 | 35 | 3.5 | 1 | - | - | - | - | 60 |
| GN 306-45-M6-50-MS-* | 45 | M 6 | 50 | 10 | 13 | 4 | - | - | - | 24.5 | 4 | 35 | 3.5 | 1 | - | - | - | - | 62 |
| GN 306-63-M8-20-MS-* | 63 | M 8 | 20 | 13.5 | 17.5 | 6 | - | - | - | 31 | 6.5 | 45 | 4 | 1.5 | - | - | - | - | 80 |
| GN 306-63-M8-25-MS-* | 63 | M 8 | 25 | 13.5 | 17.5 | 6 | - | - | - | 31 | 6.5 | 45 | 4 | 1.5 | - | - | - | - | 87 |
| GN 306-63-M8-32-MS-* | 63 | M 8 | 32 | 13.5 | 17.5 | 6 | - | - | - | 31 | 6.5 | 45 | 4 | 1.5 | - | - | - | - | 90 |
| GN 306-63-M8-40-MS-* | 63 | M 8 | 40 | 13.5 | 17.5 | 6 | - | - | - | 31 | 6.5 | 45 | 4 | 1.5 | - | - | - | - | 91 |
| GN 306-63-M8-50-MS-* | 63 | M 8 | 50 | 13.5 | 17.5 | 6 | - | - | - | 31 | 6.5 | 45 | 4 | 1.5 | - | - | - | - | 95 |
| GN 306-63-M8-63-MS-* | 63 | M 8 | 63 | 13.5 | 17.5 | 6 | - | - | - | 31 | 6.5 | 45 | 4 | 1.5 | - | - | - | - | 100 |
| GN 306-63-M10-20-MS-* | 63 | M 10 | 20 | 13.5 | 17.5 | 8 | - | - | - | 31 | 6.5 | 45 | 4 | 2 | - | - | - | - | 80 |
| GN 306-63-M10-25-MS-* | 63 | M 10 | 25 | 13.5 | 17.5 | 8 | - | - | - | 31 | 6.5 | 45 | 4 | 2 | - | - | - | - | 85 |
| GN 306-63-M10-32-MS-* | 63 | M 10 | 32 | 13.5 | 17.5 | 8 | - | - | - | 31 | 6.5 | 45 | 4 | 2 | - | - | - | - | 90 |
| GN 306-63-M10-40-MS-* | 63 | M 10 | 40 | 13.5 | 17.5 | 8 | - | - | - | 31 | 6.5 | 45 | 4 | 2 | - | - | - | - | 95 |
| GN 306-63-M10-50-MS-* | 63 | M 10 | 50 | 13.5 | 17.5 | 8 | - | - | - | 31 | 6.5 | 45 | 4 | 2 | - | - | - | - | 98 |
| GN 306-63-M10-63-MS-* | 63 | M 10 | 63 | 13.5 | 17.5 | 8 | - | - | - | 31 | 6.5 | 45 | 4 | 2 | - | - | - | - | 104 |
| GN 306-30-M6-16-ZK-* | 30 | M 6 | 16 | 10 | 13 | - | - | 4.5±0.03 | - | 24.5 | 4 | 31 | 3.5 | - | - | - | 5.1 | - | 24 |
| GN 306-30-M6-20-ZK-* | 30 | M 6 | 20 | 10 | 13 | - | - | 4.5±0.03 | - | 24.5 | 4 | 31 | 3.5 | - | - | - | 5.1 | - | 29 |
| GN 306-30-M6-25-ZK-* | 30 | M 6 | 25 | 10 | 13 | - | - | 4.5±0.03 | - | 24.5 | 4 | 31 | 3.5 | - | - | - | 5.1 | - | 30 |
| GN 306-30-M6-32-ZK-* | 30 | M 6 | 32 | 10 | 13 | - | - | 4.5±0.03 | - | 24.5 | 4 | 31 | 3.5 | - | - | - | 5.1 | - | 31 |
| GN 306-30-M6-40-ZK-* | 30 | M 6 | 40 | 10 | 13 | - | - | 4.5±0.03 | - | 24.5 | 4 | 31 | 3.5 | - | - | - | 5.1 | - | 32 |
| GN 306-30-M6-50-ZK-* | 30 | M 6 | 50 | 10 | 13 | - | - | 4.5±0.03 | - | 24.5 | 4 | 31 | 3.5 | - | - | - | 5.1 | - | 34 |
| GN 306-45-M6-16-ZK-* | 45 | M 6 | 16 | 10 | 13 | - | - | 4.5±0.03 | - | 24.5 | 4 | 35 | 3.5 | - | - | - | 5.1 | - | 55 |
| GN 306-45-M6-20-ZK-* | 45 | M 6 | 20 | 10 | 13 | - | - | 4.5±0.03 | - | 24.5 | 4 | 35 | 3.5 | - | - | - | 5.1 | - | 56 |
| GN 306-45-M6-25-ZK-* | 45 | M 6 | 25 | 10 | 13 | - | - | 4.5±0.03 | - | 24.5 | 4 | 35 | 3.5 | - | - | - | 5.1 | - | 58 |
| GN 306-45-M6-32-ZK-* | 45 | M 6 | 32 | 10 | 13 | - | - | 4.5±0.03 | - | 24.5 | 4 | 35 | 3.5 | - | - | - | 5.1 | - | 59 |
| GN 306-45-M6-40-ZK-* | 45 | M 6 | 40 | 10 | 13 | - | - | 4.5±0.03 | - | 24.5 | 4 | 35 | 3.5 | - | - | - | 5.1 | - | 60 |
| GN 306-45-M6-50-ZK-* | 45 | M 6 | 50 | 10 | 13 | - | - | 4.5±0.03 | - | 24.5 | 4 | 35 | 3.5 | - | - | - | 5.1 | - | 62 |
| GN 306-63-M8-20-ZK-* | 63 | M 8 | 20 | 13.5 | 17.5 | - | - | 6.1±0.05 | - | 31 | 6.5 | 45 | 4 | - | - | - | 6.2 | - | 78 |
| GN 306-63-M8-25-ZK-* | 63 | M 8 | 25 | 13.5 | 17.5 | - | - | 6.1±0.05 | - | 31 | 6.5 | 45 | 4 | - | - | - | 6.2 | - | 80 |
| GN 306-63-M8-32-ZK-* | 63 | M 8 | 32 | 13.5 | 17.5 | - | - | 6.1±0.05 | - | 31 | 6.5 | 45 | 4 | - | - | - | 6.2 | - | 82 |
| GN 306-63-M8-40-ZK-* | 63 | M 8 | 40 | 13.5 | 17.5 | - | - | 6.1±0.05 | - | 31 | 6.5 | 45 | 4 | - | - | - | 6.2 | - | 84 |
| GN 306-63-M8-50-ZK-* | 63 | M 8 | 50 | 13.5 | 17.5 | - | - | 6.1±0.05 | - | 31 | 6.5 | 45 | 4 | - | - | - | 6.2 | - | 85 |
| GN 306-63-M8-63-ZK-* | 63 | M 8 | 63 | 13.5 | 17.5 | - | - | 6.1±0.05 | - | 31 | 6.5 | 45 | 4 | - | - | - | 6.2 | - | 87 |
| GN 306-63-M10-20-ZK-* | 63 | M 10 | 20 | 13.5 | 17.5 | - | - | 7.8±0.05 | - | 31 | 6.5 | 45 | 4 | - | - | - | 7.3 | - | 81 |
| GN 306-63-M10-25-ZK-* | 63 | M 10 | 25 | 13.5 | 17.5 | - | - | 7.8±0.05 | - | 31 | 6.5 | 45 | 4 | - | - | - | 7.3 | - | 84 |
| GN 306-63-M10-32-ZK-* | 63 | M 10 | 32 | 13.5 | 17.5 | - | - | 7.8±0.05 | - | 31 | 6.5 | 45 | 4 | - | - | - | 7.3 | - | 86 |
| GN 306-63-M10-40-ZK-* | 63 | M 10 | 40 | 13.5 | 17.5 | - | - | 7.8±0.05 | - | 31 | 6.5 | 45 | 4 | - | - | - | 7.3 | - | 91 |
| GN 306-63-M10-50-ZK-* | 63 | M 10 | 50 | 13.5 | 17.5 | - | - | 7.8±0.05 | - | 31 | 6.5 | 45 | 4 | - | - | - | 7.3 | - | 96 |
| GN 306-63-M10-63-ZK-* | 63 | M 10 | 63 | 13.5 | 17.5 | - | - | 7.8±0.05 | - | 31 | 6.5 | 45 | 4 | - | - | - | 7.3 | - | 100 |



3
Clamping levers